

YLOCK[®]
PULLFORCE

Y-Lock Pullforce Connector and Cable System

Series Y-LPF

Series Y-LPF Y-Lock Pullforce System



Advantages:

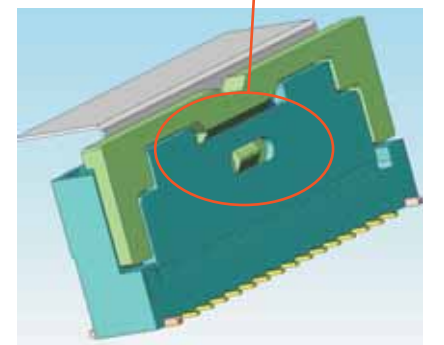
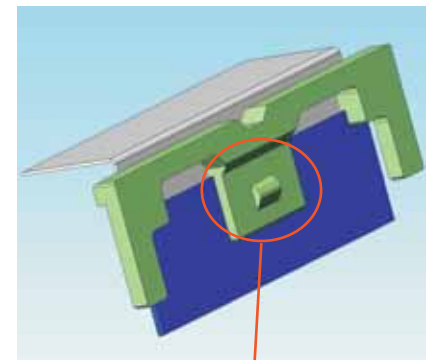
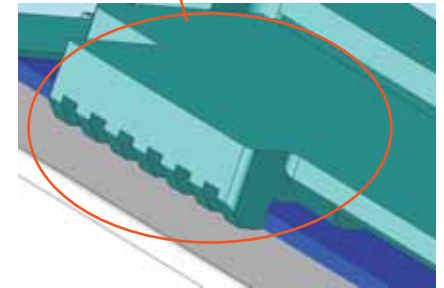
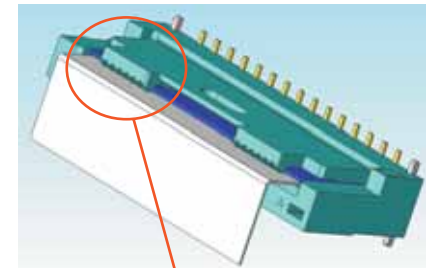
- New design for an easy, quick and secure assembly for a Board-to-cable solution “One-push lock” system
- Use of standard FFC/FPC with supporting tape
Optional use of an additional stiffener
- Pitches: 0.5 and 1.0mm
- 90° and 180° versions
- Various pin counts available
- Non-ZIF system

Functionality of locking mechanism:

- Lock mechanism by use of small hooks at the Board connector
- The hooks lock the FFC/FPC behind the supporting tape
 - Supporting Tape: 4.5mm +/- 0.5mm (0.5mm pitch)
 - 4.5mm +/- 0.8mm (1.0mm pitch)
 - Stripped length: 3.0mm +/- 0.5mm

Optional use of an additional stiffener

- The design of the additional stiffener avoids wrong insertion
- Optimized security during the plugging, e.g. at strong vibrations
- Yamaichi Electronics offers the complete assembly of the FFC/FPC with the additional stiffener
- Automatic assembly is possible



Series Y-LPF Y-Lock Pullforce System



Features:

	Pitch 0.5mm	Pitch 1.0mm
Temp. Range	-40°C until +105°C	
Solder Connection	SMT	
Solder Process	Reflow	
Mating cycles	Minimum 10	
Contact Plating	12μ" Au	Tin
Voltage Rating	50V DC	125V DC
Current Rating	0.5A	1A
Packaging	Tape & Reel (180° version with Pick&Place cap)	

Ordering Code for Board Connectors:

Y-LPF	- C	X	- XX	- S	X	- X	X	- R
Serie	Connector	Pitch 1=1.00 5=0.50	Pin count 12 16 etc.	SMT	Orientation 1 = 180° 9 = 90°	Plating mating area F = Au flash B = 0.3μm Au L = Tin	Plating termination area F = Au flash B = 0.3μm Au L = Tin	Packaging

Ordering Code for FFC / FPC Cable:

Y-LPF	- X	X	- XX	- XXX	- X	X	- X	- X
Serie	F = FFC P = FPC	Pitch 1=1.00 5=0.50	Pin count 12 16 etc.	Insulation length	Direction supporting tape A = same B = opposite	Additional stiffener 0 = no 1 = one side 2 = both side	Plating area F = Au flash B = 0.3μm Au L = Tin	ULNo. S = UL2896 V = UL20706

Product Line Status:

Additional stiffeners are available on request

Part Number	Pitch	Pin Count	Orientation
Y-LPF-C5-30-S1-LL-R	0.50mm	30	180°
Y-LPF-C1-12-S1-LL-R	1.00mm	12	180°
Y-LPF-C1-16-S1-LL-R	1.00mm	16	180°
Y-LPF-C1-30-S1-LL-R	1.00mm	30	180°
Y-LPF-C1-12-S9-LL-R	1.00mm	12	90°
Y-LPF-C1-16-S9-LL-R	1.00mm	16	90°
Y-LPF-C1-30-S9-LL-R	1.00mm	30	90°

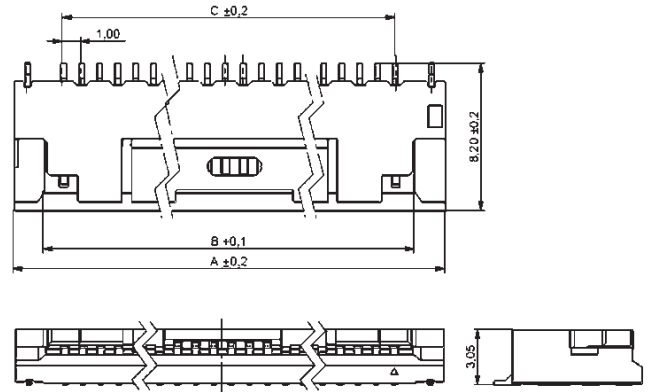
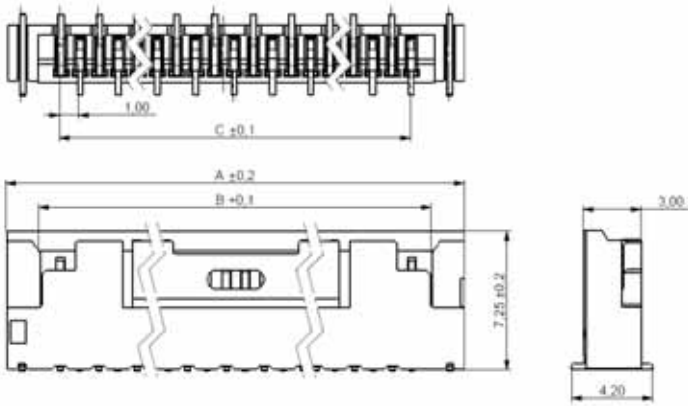
Specifications in this document are reference values for representative products of each series. Since product improvement entails changes to electrical, material and mechanical properties, the purchasing party is strongly encouraged to inquire about the latest specifications before placing a purchase order.

Example Outline Dimensions for 1.00mm Pitch 180° and 90° Types

Y-LPF-C1-x-S1-LL-R
180° Type

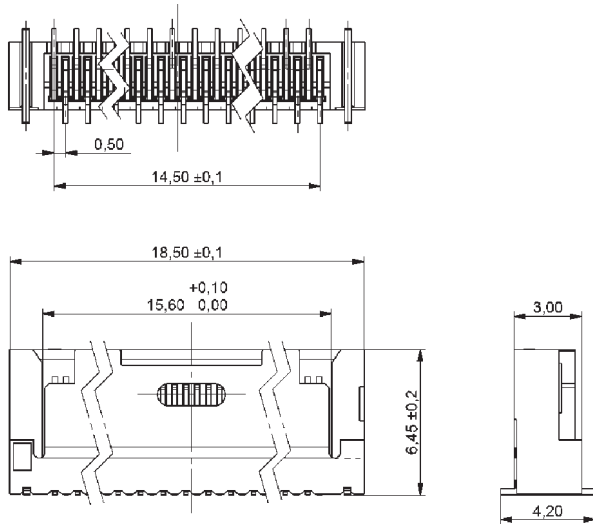
Dimension	12 Pin	16 Pin	30 Pin
A	16.50	20.50	34.50
B	13.10	17.10	31.10
C	11.00	15.00	29.00

Y-LPF-C1-x-S9-LL-R
90° Type

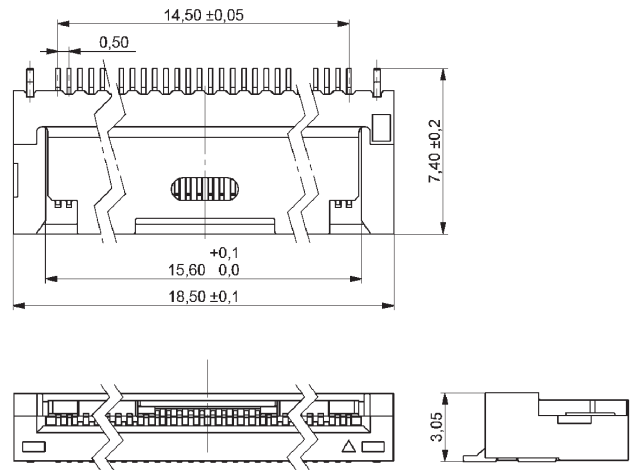


Example Outline Dimensions for 0.5mm Pitch 180° and 90° Types

Y-LPF-C5-30-S1-BF-R
180° Type



Y-LPF-C5-30-S9-BF-R
90° Type



Example Outline Dimensions for Y-Lock Pullforce Locking and Cable System

